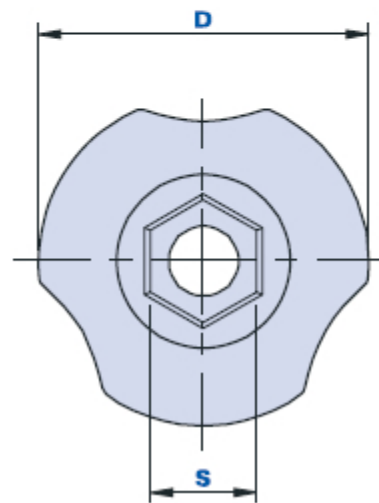
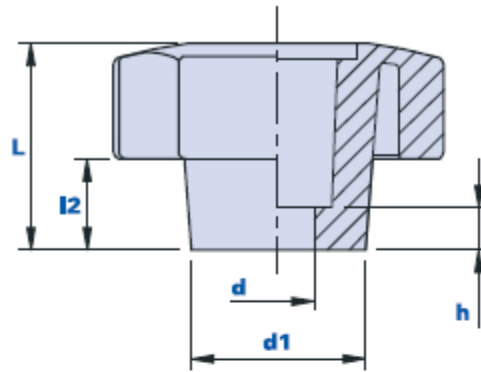
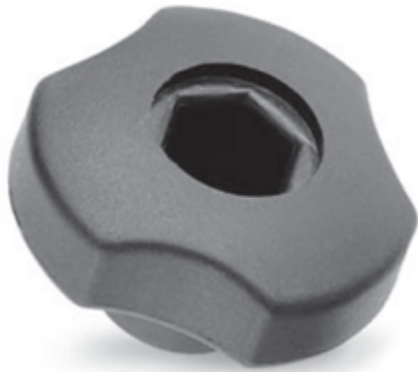


## 3-lobe knob with hexagonal seat for screws and nuts



Code	Description	Dimensions							Weight grams	Stock
		D	L	d1	L2	h	d	s		
01THEN25CH8	THEN 25 CH8	25	16	14	6	5	5,5	8	5	√
01THEN30CH10	THEN 30 CH10	30	19	17	7	5	6,5	10	12	√
01THEN40CH13	THEN 40 CH13	40	25	21	11	5	8,5	13	20	√
01THEN50CH13	THEN 50 CH13	50	30	24	16	5	8,5	13	25	√
01THEN60CH17	THEN 60 CH17	60	38	28	17	5	11	17	41	-
01THEN80CH17	THEN 80 CH17	80	39	30	17	5	13	17	63	√
01THEN80CH18	THEN 80 CH18	80	39	30	17	5	13	18	63	√

### Material

Polyamide-based (PA) technopolymer. Resistant to organic and inorganic chemical substances such as oils, greases, fuels and solvents.

### Colour

Black with satin finish.

Other colours for suitable quantities.

**Insert**

Hexagonal seat for nuts and screws.

**Remarks**

On request, the item is delivered already assembled with the insert.

**Package**

50 - 100 - 200 pcs.