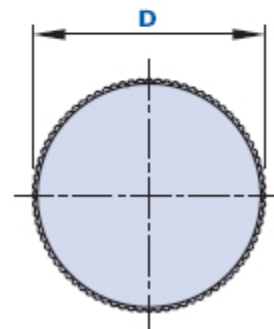
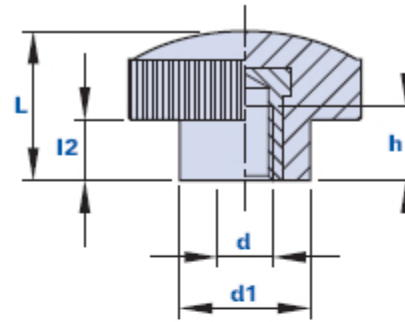


# 1053F



## Knurled grip knob with blind threaded bush



Code	Description	Dimensions				Insert		Weight grams	Stock
		D	L	d1	l2	d	h		
1053F1500300	1053F D.15 M3	15	14	10	5	M3	8	4,4	-
1053F1500400	1053F D.15 M4	15	14	10	5	M4	8	4,2	-
1053F1500500	1053F D.15 M5	15	14	10	5	M5	8	4	-
1053F2500400	1053F D.25 M4	25	16	14	6	M4	8	5,6	-
1053F2500500	1053F D.25 M5	25	16	14	6	M5	8	6	-
1053F2500600	1053F D.25 M6	25	16	14	6	M6	8	6,4	-
1053F2500800	1053F D.25 M8	25	16	14	6	M8	8	6,8	-

### Material

Polyamide-based (PA) technopolymer. Resistant to organic and inorganic chemical substances such as oils, greases, fuels and solvents.

### Colour

Black with shiny finish.

### Insert

Brass. Special inserts on design and/or in stainless steel on request, for suitable quantities.

### Package

25 - 50 - 100 pcs.



Thenar Srl - Via della Costituzione, 66 - 42015 Correggio (RE) Italy

Tel. +39 0522 740511 - Fax +39 0522 740555 - info@thenar.it - www.thenar.it

THENAR models are reserved property under the law - Non-reproducible drawings unless the source is cited.