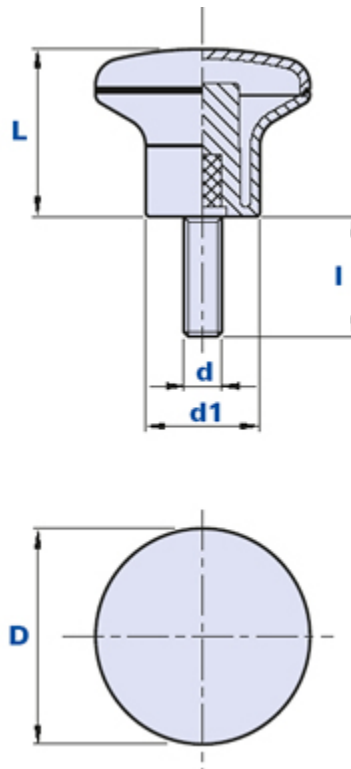


1030NM



Handle with threaded pin



Code	Description	Dimensions			Insert		Weight grams	Stock
		L	D	d1	d	l		
1030NM006200	1030NM D.45 M6x20	35	45	24	M6	20	39	-
1030NM006300	1030NM D.45 M6x30	35	45	24	M6	30	40	-
1030NM006400	1030NM D.45 M6x40	35	45	24	M6	40	41	-
1030NM008200	1030NM D.45 M8x20	35	45	24	M8	20	42	-
1030NM008300	1030NM D.45 M8x30	35	45	24	M8	30	43	-
1030NM008400	1030NM D.45 M8x40	35	45	24	M8	40	44	-
1030NM010200	1030NM D.45 M10x20	35	45	24	M10	20	46	-
1030NM010300	1030NM D.45 M10x30	35	45	24	M10	30	48	-
1030NM010400	1030NM D.45 M10x40	35	45	24	M10	40	49	-

Material

Polyamide-based (PA) technopolymer. Resistant to organic and inorganic chemical substances such as oils, greases, fuels and solvents.

Colour

Black. Other colours for suitable quantities.

Insert

Zinc-passivated steel.

Package

25 - 50 - 100 pcs.



Thenar Srl - Via della Costituzione, 66 - 42015 Correggio (RE) Italy

Tel. +39 0522 740511 - Fax +39 0522 740555 - info@thenar.it - www.thenar.it

THENAR models are reserved property under the law - Non-reproducible drawings unless the source is cited.

